



ALUMINUM GATE INSTALLATION INSTRUCTIONS

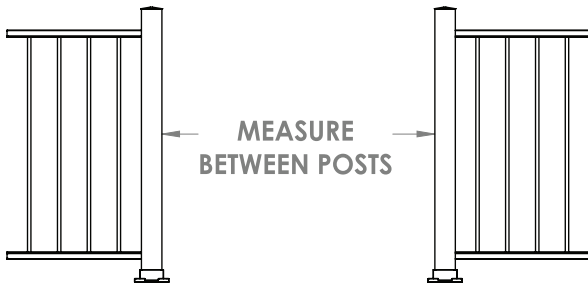
Suggested Tools: Cordless Drill Pencil
 Tape Measure #2 Sq. Driver Bit
 Safety Glasses 1/8" Drill Bit
 Miter Saw w/ Non-Ferrous Blade

STEP ONE: Remove all items from package.

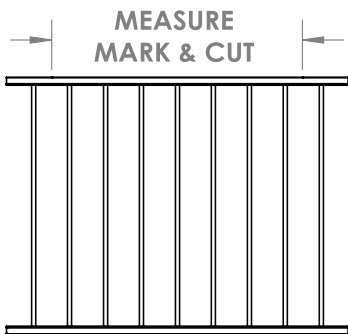
Kit Includes:

- One (1) - Picket Panel
- Two (2) - Snap Covers
- Two (2) - Gate End Posts w/ Welded Rods
- Sixteen (16) - 3/4" Self Tapping TEK Screws
- Two (2) - Self-Closing Hinges
- One (1) - Locking Latch Kit w/ Key
- Four (4) - Gate Support Brackets
- Sixteen (16) - Color Matched TEK Screws

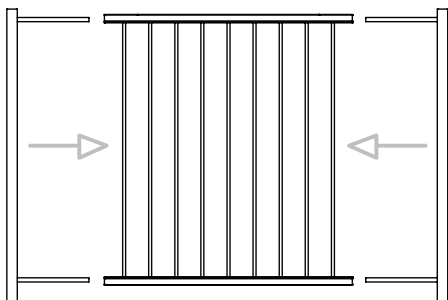
STEP TWO: Measure gate opening between posts.



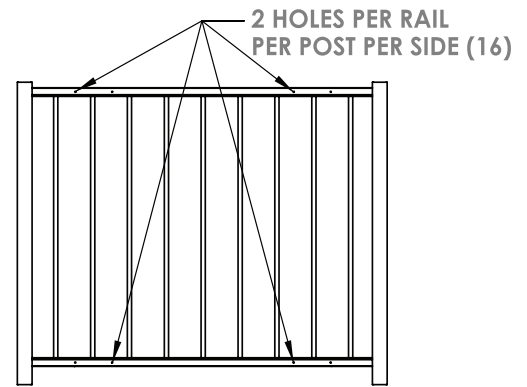
STEP THREE: Picket Gate Panel (without Gate End Posts) must be exactly 4.5" less than gate opening. Deduct 4.5" from opening measurement and cut both panel ends, leaving equal picket spacing.



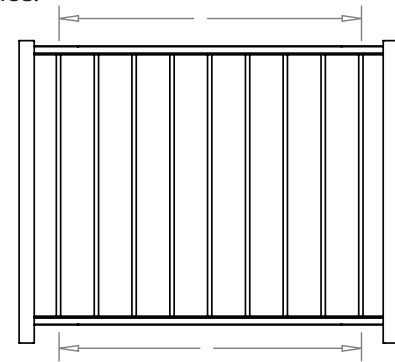
STEP FOUR: Insert Gate End Posts into panel upper and lower horizontal channels.



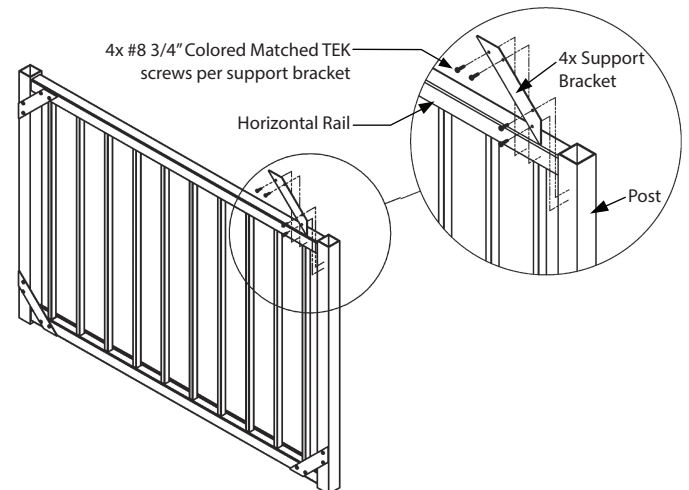
STEP FIVE: Drill 16 - 1/8" holes as per diagram and install 3/4" TEK screws to secure gate ends to panel.



STEP SIX: Measure between Gate End Posts, deduct 1/16", cut top/bottom snap covers. Once cut, position snap covers over top/bottom horizontal channels and press in place.



STEP SEVEN: To install Support Bracket, first attach Support Bracket to Post using 2x #8 x 3/4" TEK screws as shown, then press Support Bracket against Horizontal Rail, drill 2x 1/8" pilot holes and secure using remaining 2x #8 x 3/4" TEK screws. Repeat for remaining brackets.



STEP EIGHT: Install gate hinges per instructions provided in hinge package.

STEP NINE: Install gate latch as per instructions provided in latch package.

Installation Videos available at:
WILLIAMSRAILING.COM