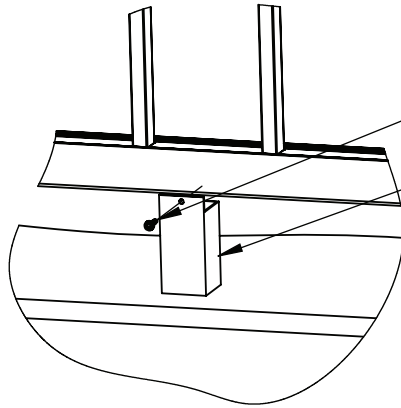


STEPS 2-3

2. ATTACH **PANEL** TO **POST** WITH STANDARD METHOD USING **STRAIGHT CLIPS** AND **TEK SCREWS** AS SHOWN IN **DETAIL B** AND **DETAIL C**.

3. ATTACH **TOP RAIL** AND **BOTTOM SNAP** TO **PANEL** AS SHOWN.



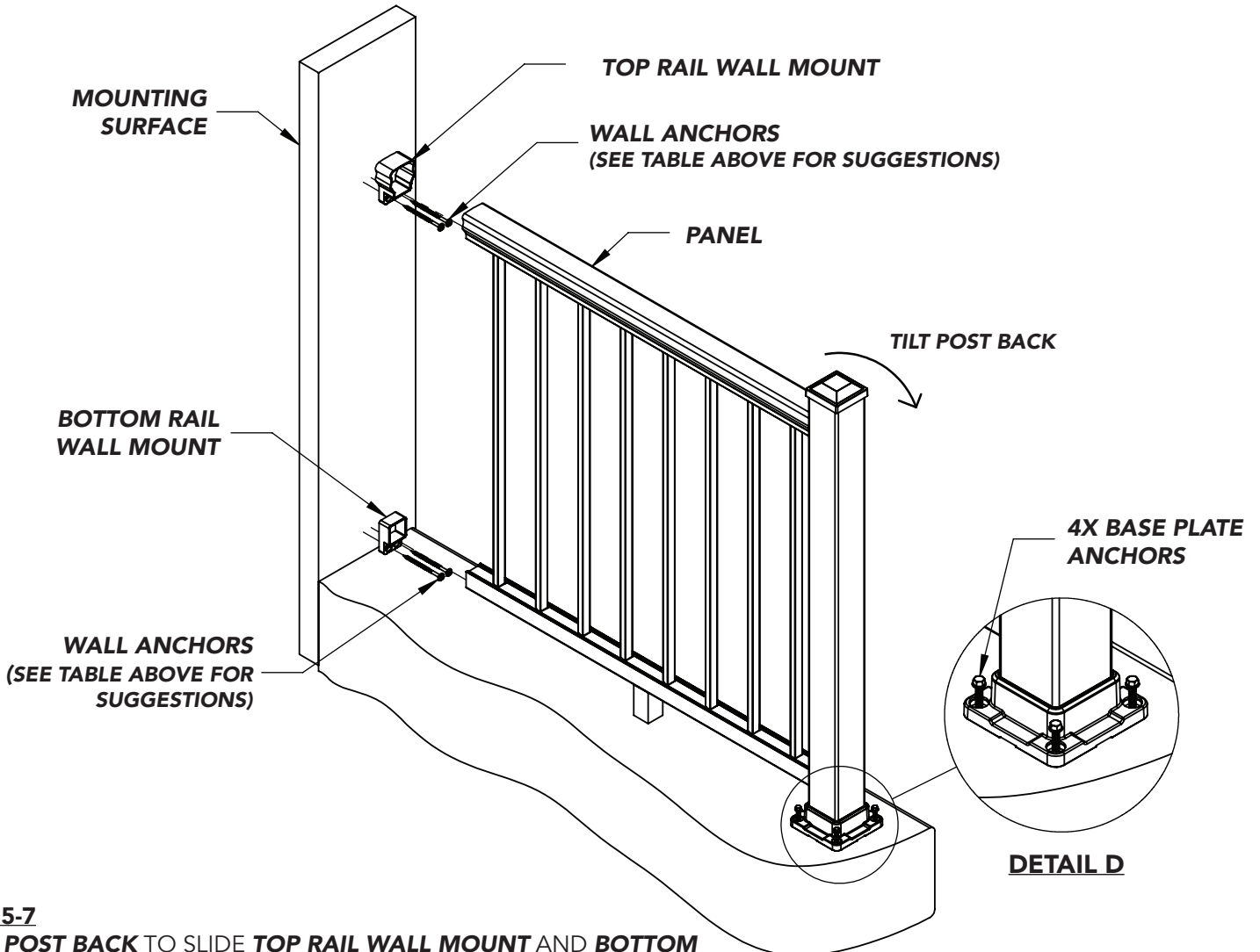
COLORED TEK SCREWS

SUPPORT LEG

STEP 4

4. ATTACH *SUPPORT LEG* IN DESIRED LOCATION USING PROVIDED *COLOR TEK SCREW*.

WALL MOUNT ANCHOR SUGGESTIONS		
SUBSTRATE	DESCRIPTION	SKU
CONCRETE/BLOCK/BRICK	5/16" X 3" TAPCON CONCRETE ANCHOR	2327303
WOOD	5/16" X 4" GRK RSS EXTERIOR SCREW	2300231
HARDWARE LISTED IS SUGGESTION ONLY TO BE USED AT CUSTOMER'S DISCRETION		



STEPS 5-7

5. TILT POST BACK TO SLIDE **TOP RAIL WALL MOUNT** AND **BOTTOM RAIL WALL MOUNT** ONTO **PANEL**.

6. ATTACH WALL MOUNTS TO MOUNTING SURFACE USING **WALL ANCHORS** (SEE TABLE ABOVE FOR SUGGESTIONS).

7. TIGHTEN 4X POST BASE PLATE ANCHORS AS SHOWN IN **DETAIL D**.